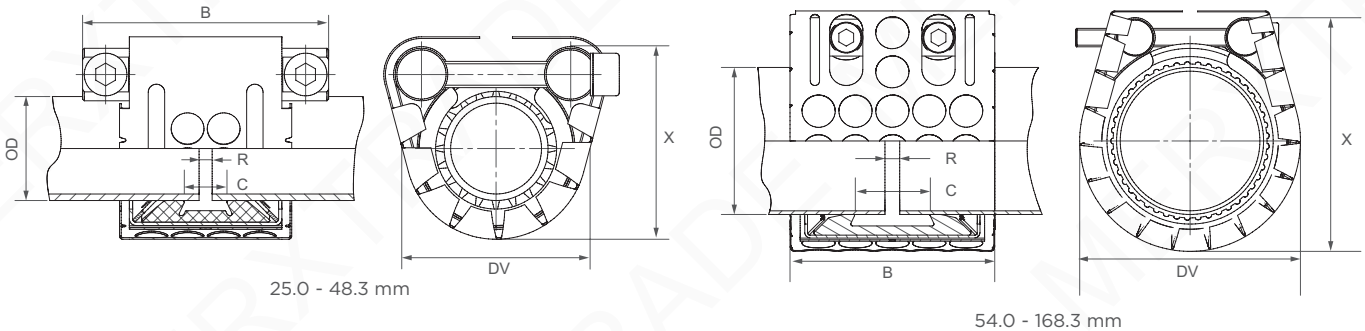


STRAUB-GRIP-FIRE-FENCE | ø 25.0 - 168.3 mm

Components / Materials	W1	W2	W4	W5
Casing				AISI 316 L or similar
Bolts				A4 - 80
Bars				AISI 316 L or similar
Anchoring rings				AISI 301
Strip insert (option)				AISI 316 L / PVDF

Sealing sleeve EPDM	Temp.: -20°C up to +100°C	Medium: all qualities of water, waste water, air, solids and chemical products
Sealing sleeve NBR	Temp.: -20°C up to +80°C	Medium: water, gas, oil, fuel and other hydrocarbons
Sealing sleeve FPM/FKM	Temp.: -20°C up to +180°C	Medium: ozone, oxygen, acids, gas, oil and fuel (only with strip insert)



OD [mm]	Clamping range [mm]	PN [bar]	PN [bar]	B [mm]	C [mm]	DV [mm]	X [mm]	R without strip insert [mm]	R with strip insert [mm]	Torque rate [Nm]	Allen head [mm]	Thread M...
25.0	24.5 - 25.5	64	16	46.5 / 75	18	51	58	5	5 - 10	10	6	8
26.9	26.4 - 27.4	58	16	46.5 / 75	18	54	61	5	5 - 10	10	6	8
28.0	27.5 - 28.5	50	16	46.5 / 75	18	55	62	5	5 - 10	10	6	8
30.0	29.5 - 30.5	42	16	46.5 / 75	18	57	65	5	5 - 10	10	6	8
33.7	33.2 - 34.2	39	16	46.5 / 75	18	61	70	5	5 - 10	10	6	8
35.0	34.5 - 35.5	37	16	46.5 / 75	18	62	71	5	5 - 10	12	6	8
38.0	37.5 - 38.5	36	16	46.5 / 75	18	65	74	5	5 - 10	12	6	8
40.0	39.5 - 40.5	35	16	46.5 / 75	18	67	76	5	5 - 10	12	6	8
42.4	41.9 - 42.9	33	16	46.5 / 75	18	70	79	5	5 - 10	12	6	8
44.5	44.0 - 45.0	30	16	46.5 / 75	18	72	81	5	5 - 10	12	6	8
48.3	47.8 - 48.8	28	16	46.5 / 75	18	75	86	5	5 - 10	12	6	8
54.0	53.5 - 54.5	24	16	65	24	81	92	5	5 - 15	15	6	8
57.0	56.4 - 57.6	23	16	65	24	84	95	5	5 - 15	15	6	8
60.3	59.7 - 60.9	23	16	65	24	87	98	5	5 - 15	15	6	8
63.0	62.4 - 63.6	23	16	65	24	90	101	5	5 - 15	15	6	8
66.6	64.9 - 67.3	22	16	65	24	94	105	5	5 - 15	15	6	8
70.0	68.9 - 70.7	22	16	65	24	97	109	5	5 - 15	15	6	8
73.0	72.3 - 73.7	21	16	65	24	100	112	5	5 - 15	15	6	8
76.1	75.3 - 76.9	35	16	100	40	110	127	5 - 10	5 - 25	20	8	10
79.5	78.7 - 80.3	32	16	100	40	113	130	5 - 10	5 - 25	20	8	10
84.0	83.2 - 84.8	29	16	100	40	117	135	5 - 10	5 - 25	20	8	10
88.9	88.0 - 89.8	26	16	100	40	122	139	5 - 10	5 - 25	20	8	10
95.0	94.0 - 96.0	24	16	100	40	127	144	5 - 10	5 - 25	25	8	10
98.0	97.0 - 99.0	24	16	100	40	131	148	5 - 10	5 - 25	25	8	10
100.6	99.6 - 101.6	23	16	100	40	134	151	5 - 10	5 - 25	25	8	10
101.6	100.6 - 102.6	23	16	100	40	135	151	5 - 10	5 - 25	25	8	10
104.0	103.0 - 105.0	23	16	100	40	137	153	5 - 10	5 - 25	25	8	10
104.8	103.8 - 105.8	23	16	100	40	138	155	5 - 10	5 - 25	25	8	10
108.0	106.9 - 109.1	22	16	100	40	142	159	5 - 10	5 - 25	25	8	10
114.3	113.2 - 115.4	22	16	100	40	148	165	5 - 10	5 - 25	25	8	10
118.0	116.9 - 119.1	22	16	100	40	152	171	5 - 10	5 - 25	25	8	10
125.0	123.7 - 126.3	21	16	115	53	162	179	5 - 10	5 - 30	40	10	12
127.0	125.7 - 128.3	21	16	115	53	164	181	5 - 10	5 - 30	40	10	12
129.0	127.7 - 130.3	21	16	115	53	166	183	5 - 10	5 - 30	40	10	12
130.2	128.9 - 131.5	21	16	115	53	167	184	5 - 10	5 - 30	40	10	12
133.0	131.7 - 134.3	21	16	115	53	170	187	5 - 10	5 - 30	40	10	12
139.7	138.3 - 141.1	20	16	115	53	176	194	5 - 10	5 - 30	40	10	12
141.3	139.9 - 142.7	20	16	115	53	178	195	5 - 10	5 - 30	40	10	12
144.0	142.6 - 145.4	20	16	115	53	181	188	5 - 10	5 - 30	50	10	12
154.0	152.5 - 155.5	18	16	115	53	191	208	5 - 10	5 - 30	50	10	12
159.0	157.4 - 160.6	18	16	115	53	196	213	5 - 10	5 - 30	50	10	12
165.0	163.4 - 166.6	16	16	115	53	202	219	5 - 10	5 - 30	50	10	12
168.3	166.6 - 170.0	16	16	115	53	205	222	5 - 10	5 - 30	50	10	12

REFER TO MINIMUM WALL THICKNESS (see Technical Manual STRAUB)

- Follow fitting instructions
- According to DIN 86128
- PN () = working pressure considering the application loads
 Test pressure = PN () x 1.5 (for example industry, water supply etc.)
 PN () = nominal pressure, includes four times safety factor (e.g. shipbuilding)
- The pressure values are valid on radial rigid carbon steel pipes under static loads
- Strip inserts are optional accessories (see Technical Manual STRAUB)
- Additional sealing sleeves and temperature ranges on request

www.merxtrade.com

Information provided as an indication and subject to possible modification. Colours and details can be different then shown in data sheets or pictures.

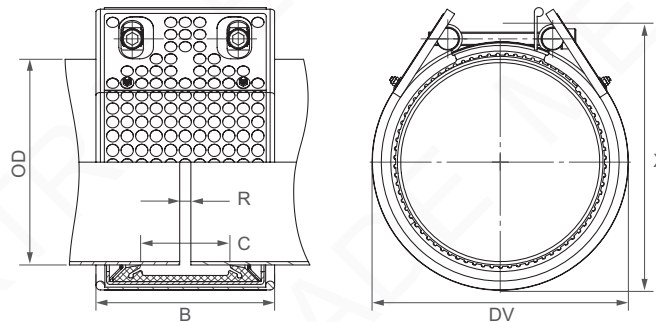
Merxtrade BV has no liability for any damages by use off any information displayed on these pages.

1 van 2

STRAUB-GRIP-L-FIRE-FENCE | ø 180.0 - 406.4 mm

Components / Materials	W1	W2	W4	W5
Casing		AISI 316 L or similar		AISI 316 L or similar
Bolts		AISI 4135		A4 - 80
Bars		AISI 12L14, galvanised		AISI 316 L or similar
Anchoring rings		AISI 301		AISI 301
Strip insert (option)		AISI 316 L or similar / HDPE		AISI 316 L or similar / HDPE

Sealing sleeve EPDM	Temp.: -20°C up to +100°C	Medium: all qualities of water, waste water, air, solids and chemical products
Sealing sleeve NBR	Temp.: -20°C up to +80°C	Medium: water, gas, oil, fuel and other hydrocarbons
Sealing sleeve FPM/FKM	Temp.: -20°C up to +180°C	Medium: ozone, oxygen, acids, gas, oil and fuel (only with strip insert)



OD [mm]	Clamping range [mm]	PN [bar]	PN [bar]	B [mm]	C [mm]	DV [mm]	X [mm]	R without strip insert [mm]	R with strip insert [mm]	Torque rate [Nm]	Allen head [mm]	Thread M...
180.0	178.0 - 182.0	16	10	158	80	260	238	5 - 10	5 - 35	50	10	12
193.7	192.0 - 195.5	16	10	158	80	275	248	5 - 10	5 - 35	50	10	12
200.0	198.0 - 202.0	15	10	158	80	280	254	5 - 10	5 - 35	50	10	12
204.0	202.0 - 206.0	14	10	158	80	285	258	5 - 10	5 - 35	50	10	12
206.0	204.0 - 208.0	14	5.5	158	80	234	258	5 - 10	5 - 35	50	10	12
219.1	216.9 - 221.3	16	10	142	80	250	274	5 - 10	5 - 30	60	10	12
244.5	242.0 - 247.0	9	5.5	158	80	325	299	5 - 10	5 - 35	50	10	12
250.0	247.5 - 252.5	9	5.5	158	80	330	304	5 - 10	5 - 35	50	10	12
254.0	251.5 - 256.5	9	5.5	158	80	330	308	5 - 10	5 - 35	50	10	12
256.0	253.5 - 258.5	9	5.5	158	80	284	308	5 - 10	5 - 35	50	10	12
267.0	264.5 - 269.5	8	5	158	80	345	321	5 - 10	5 - 35	50	10	12
273.0	270.5 - 275.5	7	4	158	80	350	327	5 - 10	5 - 35	60	10	12
306.0	303.0 - 309.0	6	3	158	80	334	358	5 - 10	5 - 35	60	10	12
323.9	320.5 - 327.0	5	3	158	80	400	378	5 - 10	5 - 35	60	10	12
355.6	352.0 - 359.0	10	2.5	158	67	430	410	5 - 10	5 - 35	90	14	16
406.4	402.5 - 410.5	7	2	158	67	475	460	5 - 10	5 - 35	100	14	16

REFER TO MINIMUM WALL THICKNESS (see Technical Manual STRAUB)

Remarks:

- Follow fitting instructions
- PN (🏭) = working pressure considering the application loads
Test pressure = PN (🏭) x 1.5 (for example industry, water supply etc.)
PN (🚢) = nominal pressure, includes four times safety factor (e.g. shipbuilding)
- The pressure values are valid on radial rigid carbon steel pipes under static loads
- Strip inserts are optional accessories (see Technical Manual STRAUB)
- Additional sealing sleeves and temperature ranges on request